

## AIR PREPARATION UNITS FILTER REGULATOR COMBINATION WITH METAL BOWL - Series FRC1M

Cat No FRC1M - 01 - E

### FILTER REGULATOR COMBINATION WITH METAL BOWL - 1/4, 3/8, 1/2, 3/4, 1"

#### Features

- Modular type
- Suitable for panel mounting
- Filter
  - Bronze filtering element
  - Separator and shield for efficient moisture separation
  - Press type manual drain for easy operation
  - Suitable for automatic drain
- Regulator
  - Diaphragm operated, relieving type
  - Pressure compensated by balanced poppet
  - Flow compensated
  - Non raising 'Press to lock' adjusting knob
- Aluminium bowl guard, bayonet type (3/4 and 1" only)
- Good flow and regulating characteristics



#### Application

These type of filters are used for Chemical, Paintshops, Pharmaceutical, Foundry etc.

#### Technical Specifications

Model	FRC13...-M	FRC14...-M	FRC15...-M	FRC17...-M	FRC17...-M
Medium	Compressed air				
Port size	G1/4	G3/8	G1/2	G3/4	G1
Pressure gauge port size	G1/8	G1/8	G1/8	G1/4	G1/4
Nominal flow rate (lpm)®	550	1800	3000	6000	6500
Maximum supply pressure	Manual drain model - 20 bar, Auto drain model - 10 bar				
Regulating pressure range # (bar)	0.2 - 2, 0.2 - 4, 0.5 - 7, 0.5 - 10 (Standard)				
Ambient temperature	Manual drain: -10° to +60° C, Semi auto / Auto drain: +5° to +50° C				
Medium temperature	+5° to +50° C				
Filtration # (µm)	1, 5, 25, 40 (standard), 50, 100				
Bowl capacity (ml) (At max. condensate level)	9	64	90	165	165
Bowl material	Aluminium				
Installation	Vertical (as shown in the picture)				
Materials of construction	Aluminium, Bronze, Brass, Steel, Acetal, SS, Nitrile				
Optional accessories *	Clamp, Modular mounting kit, Pressure gauge				
Weight (Kg)	0.30	0.70	1.50	2.16	2.12

® Supply pressure 10 bar, Set pressure 6.3 bar, pressure drop  $\Delta p = 0.3$  bar ( For standard models ).

# For details see " How to order ".

\* For details refer Optional accessories Cat No APA - 01 - C  
For Semi auto drain minimum working pressure 0.8 bar

#### Precautions

1. Note the direction of flow before installation and connect piping accordingly.
2. Flush pipings for dirt, dust, rust and other foreign particles.
3. Install in clean atmosphere.
4. Nipples with taper threads ( R ) to be used with teflon tape. Ensure teflon tape does not enter the unit during tightening. Nipples with straight threads ( G ) to be used with sealing washer.

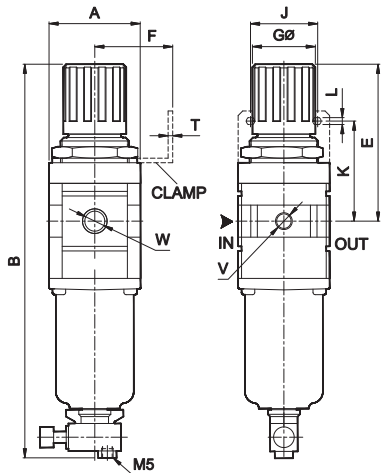
# AIR PREPARATION UNITS

## FILTER REGULATOR COMBINATION

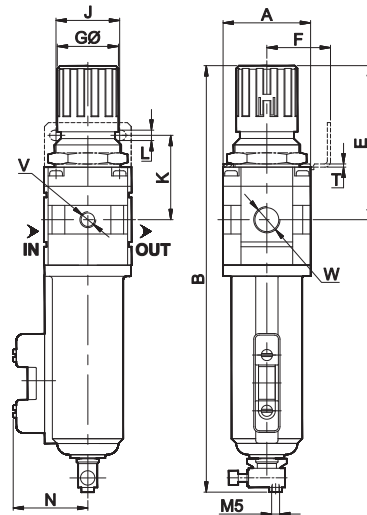
### WITH METAL BOWL - Series FRC1M

Cat No FRC1M - 01 - E

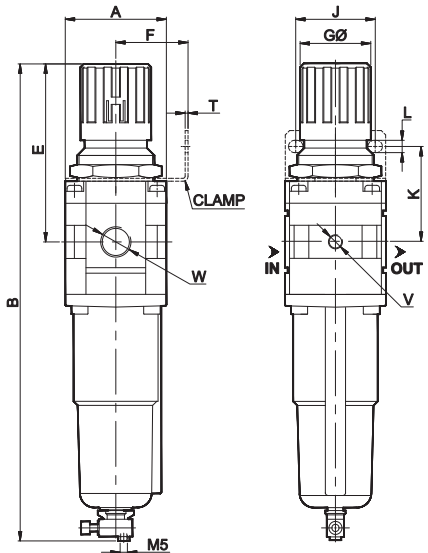
**Model FRC13...-MM**  
(Without level indicator)



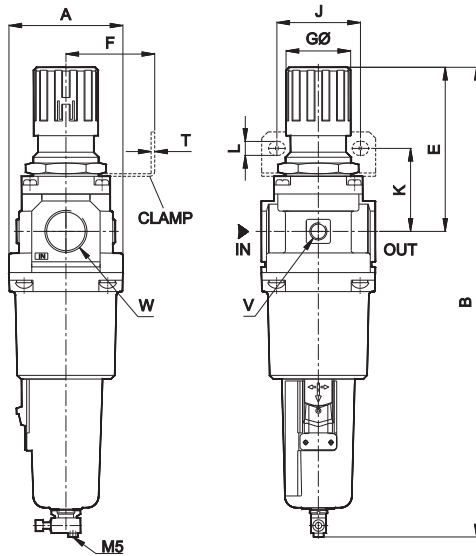
**Model FRC14...-LM**  
(With level indicator)



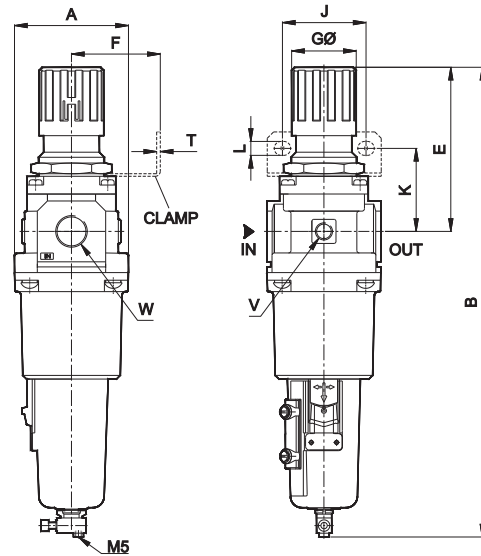
**Model FRC15...-MM**  
(Without level indicator)



**Model FRC17...-MM (Without level indicator)**



**Model FRC17...-LM (With level indicator)**



Model	W	V	A	B	E	K	F	GØ	J	L	T	N
FRC13...	G1/4	G1/8	SQ 40	172	68	45	30	28	28	5.5	2	-
FRC14...	G3/8	G1/8	SQ 55	265 / 273*	95	53	40	40	40	6.5	2	45
FRC15...	G1/2	G1/8	SQ 70	330 / 340*	125	62	50	51	55	8.5	2	48
FRC17...	G3/4	G1/4	SQ 90	371 / 373*	130	65	70	51	66	11	5	-
FRC17...	G1	G1/4	SQ 90	371 / 373*	130	65	70	51	66	11	5	-

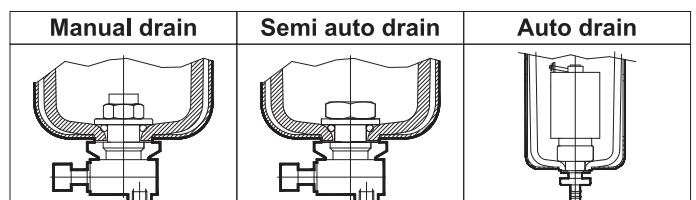
\* with Auto drain

For Details of Clamp see optional accessories Cat No APA - 01 - C

### Pressure Setting

Pull the knob and adjust by turning the knob clockwise to increase the pressure. Push the knob back to its locked position.

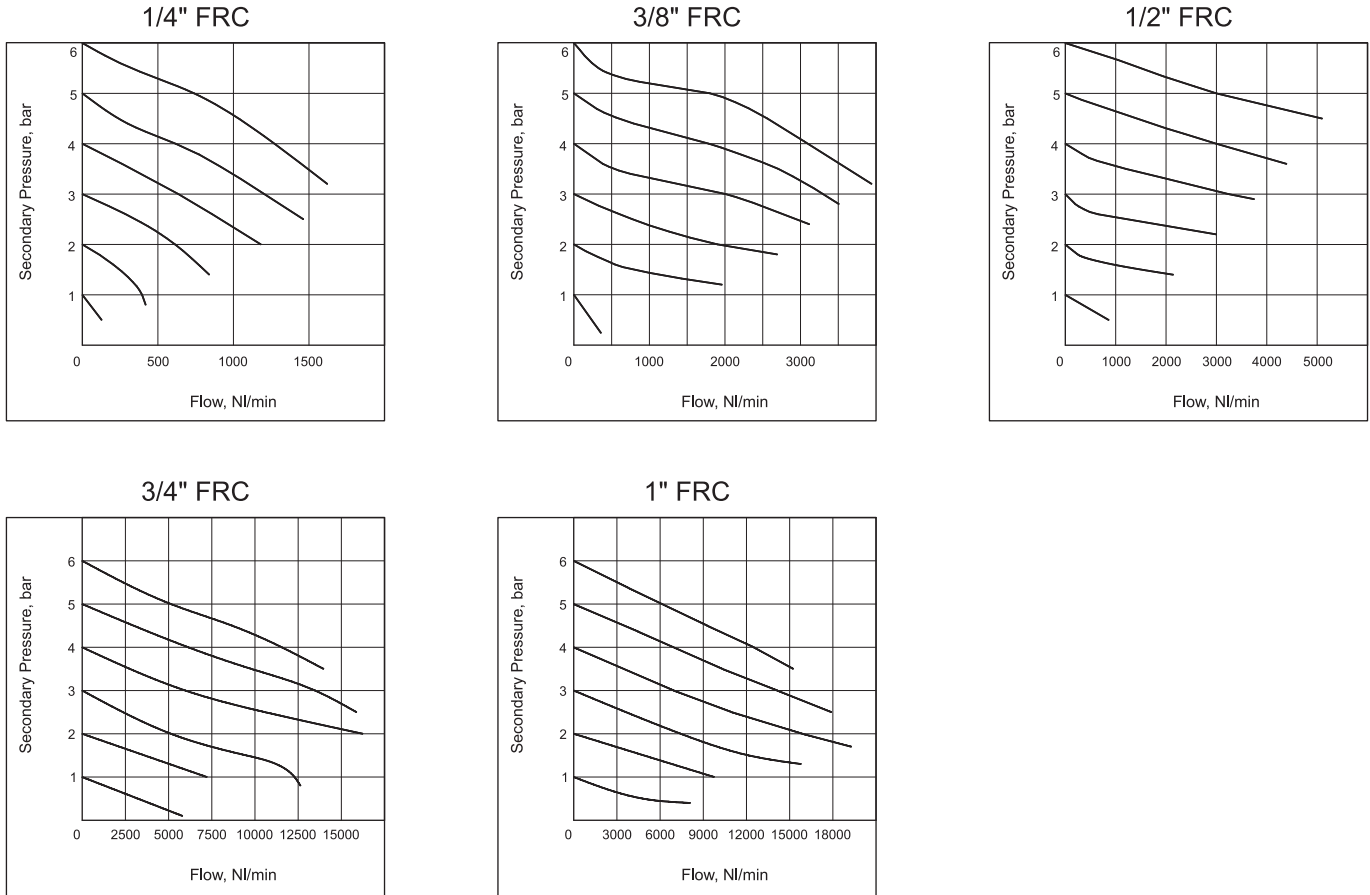
(Turning the knob counter clockwise will reduce the pressure)



**AIR PREPARATION UNITS  
FILTER REGULATOR COMBINATION  
WITH METAL BOWL - Series FRC1M**

Cat No FRC1M - 01 - E

**Flow Graphs**



Flow graphs are for 40µm filtrations only.

**How to order**

**FRC1**      **462**      **3**      **4**      —      **M**      **M**

Body & Port size		Filtration in µm		Pressure range		Metal bowl		Drain arrangement	
361	G1/4	0	- 1	1	0.2 - 2 bar	M	Without level indicator	M	Manual drain (Standard)
462	G3/8	1	- 5	2	0.2 - 4 bar	L**	With level indicator	A*	Auto drain
563	G1/2	2	- 25	3	0.5 - 7 bar			S	Semi Auto drain
764	G3/4	3	- 40 (Standard)	4	0.5 - 10 bar (Standard)				
765	G1	4	- 50						
		5	- 100						

\*\* - Applicable for FRC14, FRC15, FRC17 models only

\* Auto Drain - FRC14, FRC15, FRC17 models only, 2 - 10 bar operating pressure.  
S - For Semi auto drain minimum working pressure 0.8 bar.  
The basic model FRC is supplied with manual drain.  
For optional drain requirement specify the suffix mentioned in ordering information.

**Ordering example:**

Filter Regulator Combination - 3/8 size ( with G3/8 port ) with 5µm Filter and pressure range 0.5 - 7 bar and Metal Bowl with level indicator with Auto drain, Ordering No: **FRC146213-LA**

If ordered as FRC 3/8 with Metal bowl, our standard model **FRC146234-MM**, with 40µm Filter and pressure range 0.5 - 10 bar will be supplied.

Subject to change